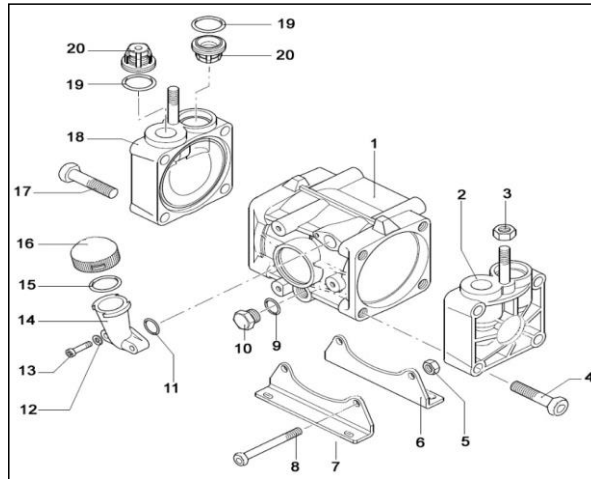
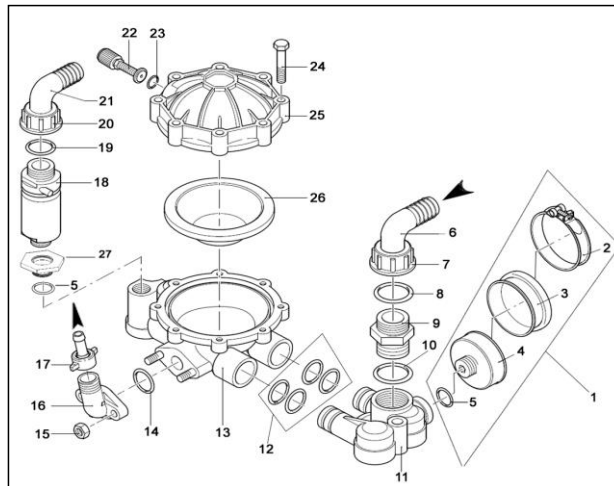


1 - PUMP BODY



N.	CODE	DESCRIPTION	QTY
1	DP301010	Pump body	1
2	DP301011	Right head	1
3		M10 Nut	2
4		TE M 12x55 Bolt	8
5		Nut M8	2
6	DP301027	Base	2
8		M 8x75 Bolt	2
9	DP301024	OR ø 14x1,78	1
10	DP301023	Plug 3/8" G	1
11	DP301019	OR ø 17,5x2	2
12		Washer øi 6,5	2
13		Bolt M6x30	2
14	DP301020	Oil tank	1
15	DP301021	OR ø 26,65x2,62	1
16	DP301022	Oil tank cap	1
17		Bolt M12x55	8
18	DP301012	Left head	1
19	DP301015	OR ø 25,80x3,53	4
20	DP301016	Complete valve	4
			2

2 - AIR CHAMBER

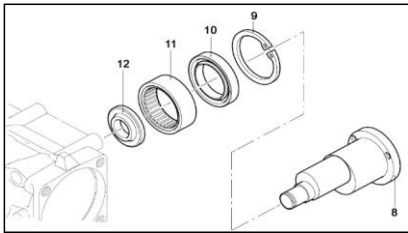
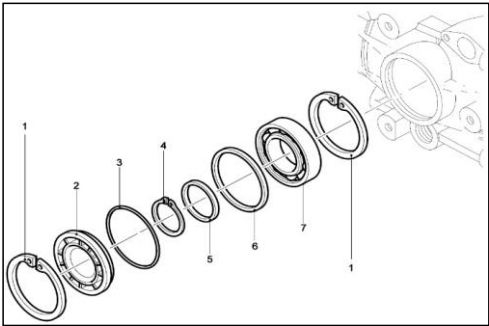


28

N.	CODE	DESCRIPTION	QTY
1	DP301028	Suct. diaphragm assy	1
2	DP301029	Clamp	1
3	DP301030	Suction diaphragm	1
4	DP301031	Diaphragm holder	1
5	DP301019	O-Ring ø17,5x2	2
6	DP301033	ø 25 Elbow	1
7	DP301034	Ring nut 1" G	1
8	DP301035	O-Ring ø 23,81x2,62	1
9	DP301036	Threaded adapter 1"G(M)-1"	1
10	DP301037	O-Ring ø 29x3	1
11	DP301038	Suction manifold	1
12	DP301039	O-Ring ø 20,63x2,62	4
13	DP301040	Lower air chamber	1
14	DP301041	O-Ring ø 23,81x2,62	1
15		Nut M8	2
16	DP301043	Flange	1
17	DP301044	Fitting 1/2" G+hose ø13	1
18	DP301045	Safety valve	1
19	DP301046	O-Ring ø15,54x2,62	1
20	DP301047	Ring nut 3/4"G	1
21	DP301048	Elbow ø 18	1
22	DP301049	Air valve	1
23	DP301050	Gasket	1
24		Bolt TE M8x40	8
25	DP301052	Upper air chamber	1
26	DP301053	Semi air chamber	1
27	DP301054	Threaded adapter	1

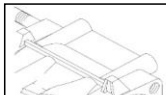
28	DP301055	Complete air chamber	1
----	----------	----------------------	---

3 - SHAFT

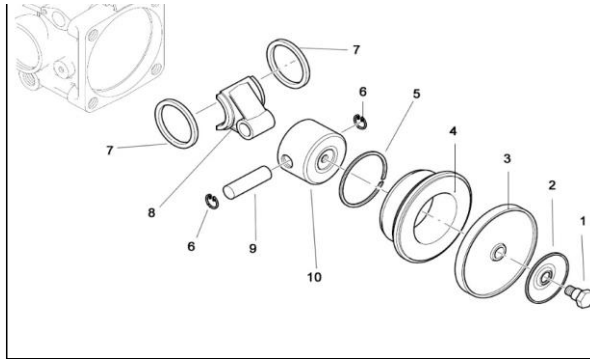


N.	CODE	DESCRIPTION	QTY
1	DP301042	Circlip	2
2	DP301056	Cover	1
3	DP301057	O-Ring $\varnothing 40,95 \times 2,62$	1
4	DP301058	Circlip	1
5	DP301059	Spacer	1
6	DP301060	Spacer	1
7	DP301061	Bearing	1
8	DP301062	shaft	1
9	DP301063	Circlip	1
10	DP301064	Seal ring	1
11	DP301065	Roller bushing	1
12	DP301066	Spacer	1

4 - PISTON

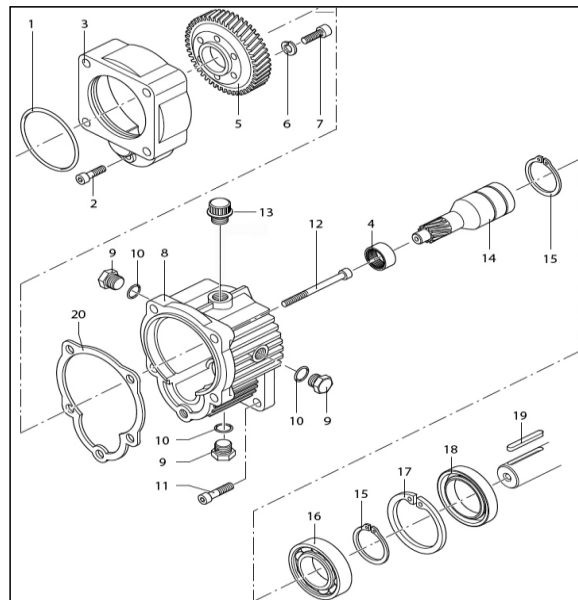


N.	CODE	DESCRIPTION	QTY
1	DP301076	Diaphragm pin	2
2	DP301075	Plate	2



3	DP301074	Diaphragm	2
4	DP301073	Sleeve	2
5	DP301072	Piston ring	2
6	DP301069	Pin ring	4
7	DP301067	Con rod pin	2
8	DP301068	Connecting rod	2
9	DP301070	Piston pin	2
10	DP301071	Piston	2

5 - REDUCTION GEAR BOX



N.	CODE	DESCRIPTION	QTY
1	DP301077	OR78*2.5	1
2	DP301078	BOLT M 8*20	1
3	DP301079	GEAR CAP	1
4	DP301080	BEARING	1
5	DP301081	GEAR	1
6	DP301082	WASHER 10.5	3
7	DP301083	BOLT M 10*20	3
8	DP301084	GEAR BOX	1
9	DP301085	PLUG 3/8"G/BRASS	3
10	DP301086	O-RING 14*1.78	3
11	DP301087	BOLT 5/16**24	4
12	DP301088	BOLT M 10*75	4
13	DP301089	OIL PLUG & O-RING	1
14	DP301090	PINION	1
15	DP301091	CIRCLIP	2
16	DP301092	BEARING	1
17	DP301093	CIRCLIP	1
18	DP301094	SEAL RING	1
19	DPA3002	Reduction gear box for DP030, key shaft 19.05mm.	1
20	DP301095	GEAR BOX GASKET	1